



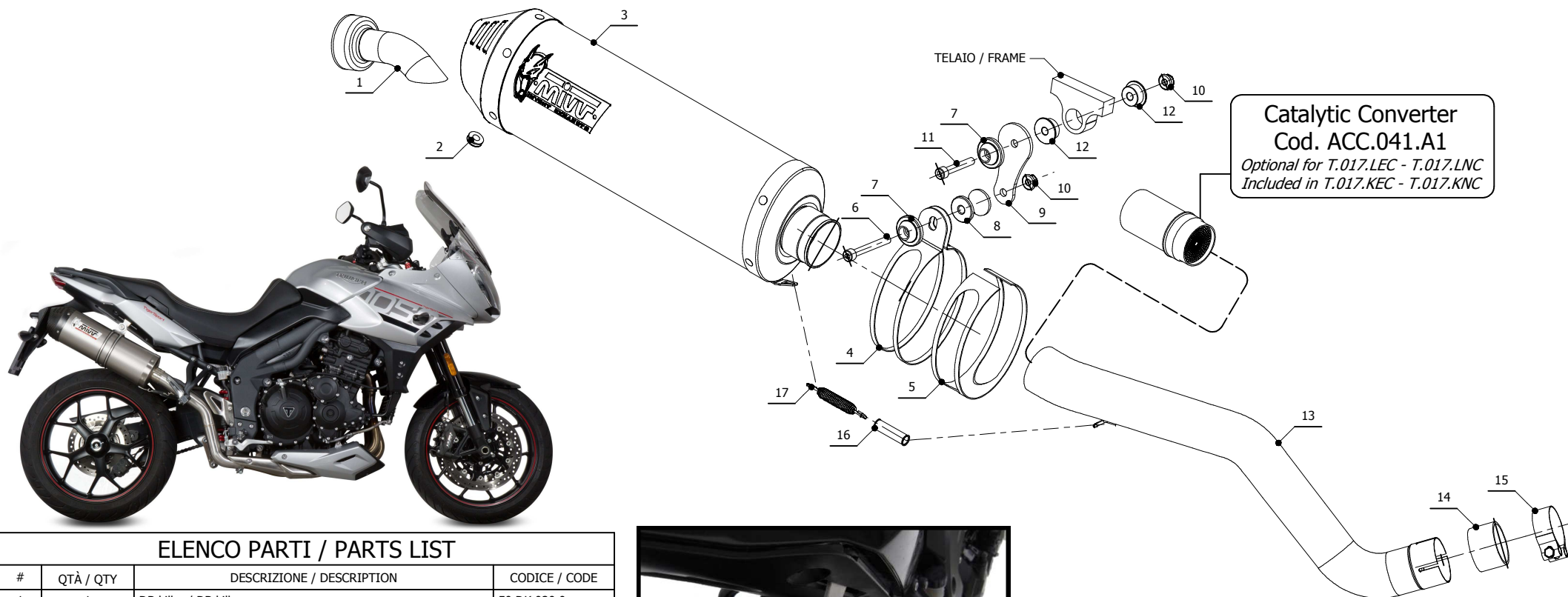
**MODEL** TRIUMPH TIGER 1050 SPORT

**YEAR** 2017 -->

**LINE** SLIP ON

**MUFFLER** OVAL CARBON CAP

**SCHEMATIC**



**ELENCO PARTI / PARTS LIST**

#	QTÀ / QTY	DESCRIZIONE / DESCRIPTION	CODICE / CODE
1	1	DB killer / DB killer	50.DK.020.0
2	1	Tappo in gomma / Rubber stopper	50.73.266.1
3	1	Silenziatore / Muffler	OVAL CARBON CAP
4	1	Staffa / Bracket	50.SS.002.0
5	1	Protezione in gomma per staffa / Rubber protection for bracket	50.73.041.1
6	1	Vite M8x65 / Screw M8x65	50.73.603.1
7	2	Rondella in alluminio / Aluminium washer	50.73.063.1
8	1	Distanziale in alluminio / Aluminium spacer (Øe.30 Øi.8,5 h.35)	50.SS.053.1
9	1	Staffa / Bracket	50.SS.750.0
10	2	Dado M8 flangiato / Flanged nut M8	50.73.393.1
11	1	Vite M8x50 / Screw M8x50	50.73.074.1
12	2	Bussola in alluminio / Aluminium bush	50.73.854.1
13	1	Tubo di raccordo / Link Pipe	9773T014SE
14	1	Guarnizione in grafite / Graphite bush	50.72.45.50.30
15	1	Fascetta Ø 48/51 mm / Pipe clamp Ø 48/51 mm	50.FA.007.1
16	1	Tubo in gomma per molla / Rubber pipe for spring	50.73.210.1
17	1	Molla media / Middle spring	50.73.359.1



**APPLICAZIONI / APPLICATIONS**

CODICE / CODE	SILENZIATORE / MUFFLER	TUBO / PIPE	FASCETTA / CLAMP	NOTE
T.017.LEC	CARBONIO (COPPA CARBONIO) / CARBON (CARBON CAP)	INOX / ST.STEEL	INOX / ST.STEEL	CATALYTIC CONVERTER NOT INCLUDED
T.017.LNC	TITANIO (COPPA CARBONIO) / TITANIUM (CARBON CAP)	INOX / ST.STEEL	INOX / ST.STEEL	CATALYTIC CONVERTER NOT INCLUDED
T.017.KEC	CARBONIO (COPPA CARBONIO) / CARBON (CARBON CAP)	INOX / ST.STEEL	INOX / ST.STEEL	CATALYTIC CONVERTER INCLUDED
T.017.KNC	TITANIO (COPPA CARBONIO) / TITANIUM (CARBON CAP)	INOX / ST.STEEL	INOX / ST.STEEL	CATALYTIC CONVERTER INCLUDED